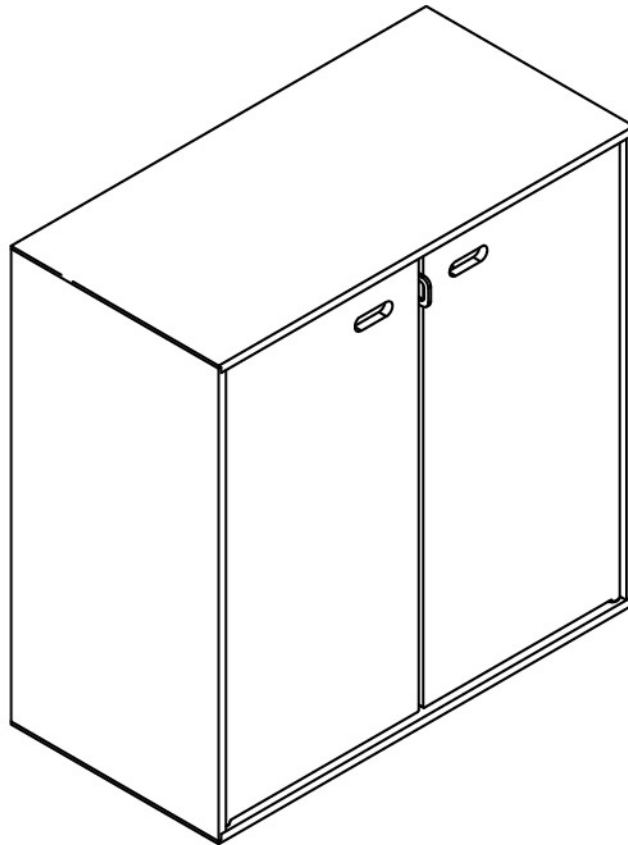


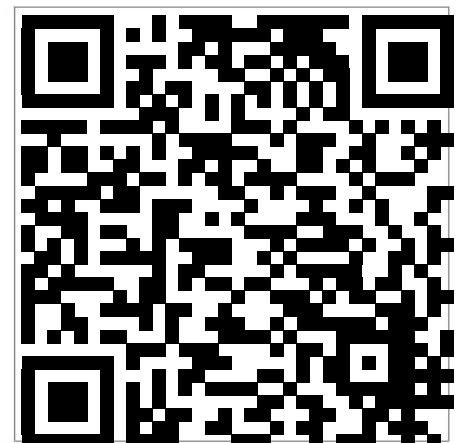


Kano Storage



Range: Vyne
Designed by: Scarlett San Martin, Joe Fox, Ben Baker

YOUR PRODUCT'S UNIQUE CODE



*Downloaded by François Gagnon on
2017-09-06 for non-commercial use.*

opendesk

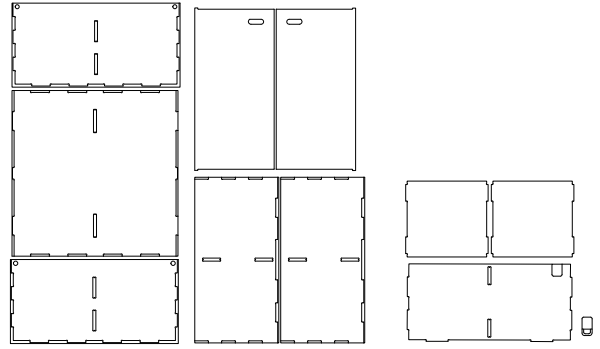
twitter @open_desk
opendesk.cc

PRODUCT ASSEMBLY INSTRUCTIONS

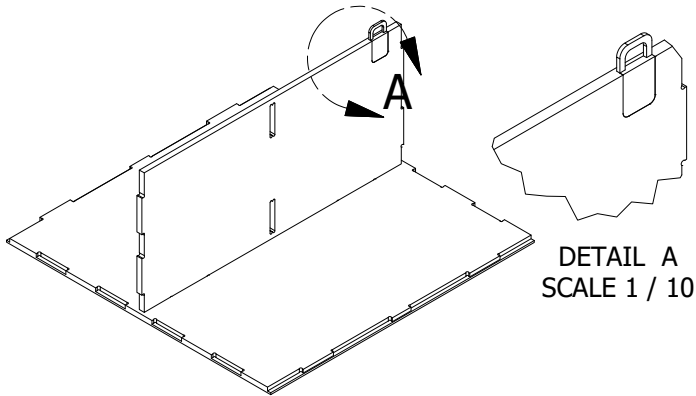
PRODUCT: KANO STORAGE (LARGE)
RANGE: VYNE
DESIGNERS: VYNE TEAM
PUBLISHED: 07/08/2017
PRODUCT VERSION: 1_0_0

HARDWARE & TOOLS
REQUIRED
-PVA GLUE
-MALLETT
-CLAMPS & RACHET STRAPS

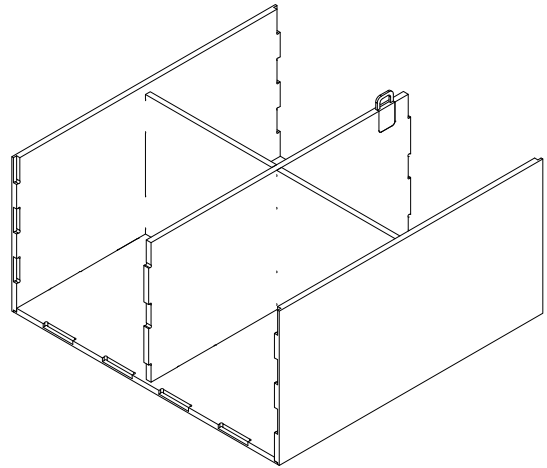
1. PARTS



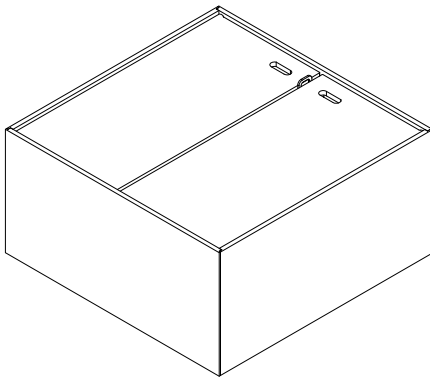
2. GLUE LOCK INSERT AND THEN FIT THE VERTICAL PANEL INTO BACK PANEL.



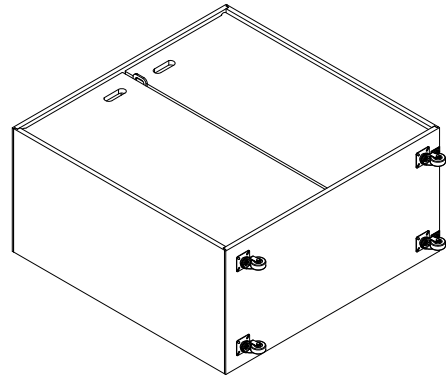
3. GLUE SIDES AND HORIZONTAL SHELVES



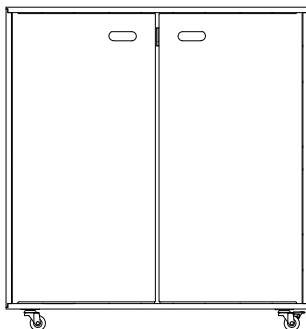
4. FIT DOORS AND GLUE THE TOP AND BASE PANELS INTO POSITION, STRAP EVERYTHING UNTIL DRY



5. MAKE PILOT HOLES AND SCREW THE WHEELS IN PLACE



6. FINISHED.

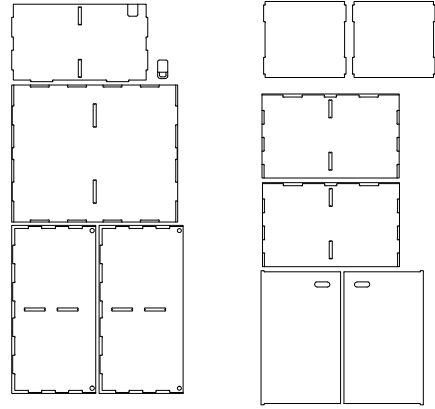


PRODUCT ASSEMBLY INSTRUCTIONS

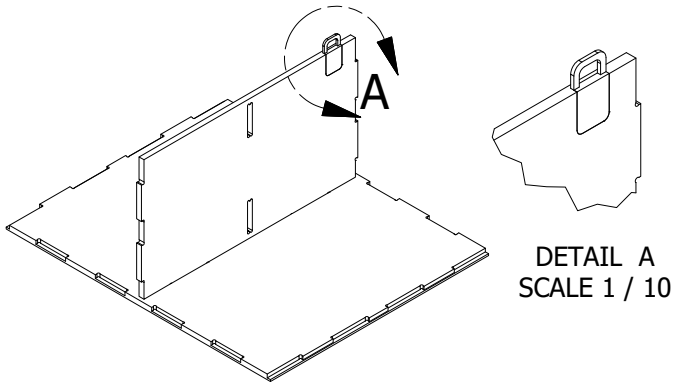
PRODUCT: KANO STORAGE (MEDIUM)
RANGE: VYNE
DESIGNERS: VYNE TEAM
PUBLISHED: 07/08/2017
PRODUCT VERSION: 1_0_0

HARDWARE & TOOLS
REQUIRED
-PVA GLUE
-MALLET
-CLAMPS & RACHET STRAPS

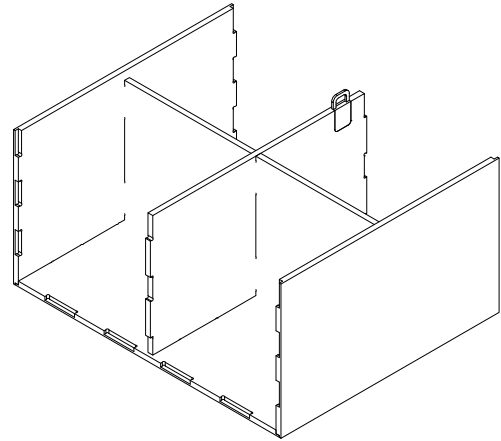
1. PARTS



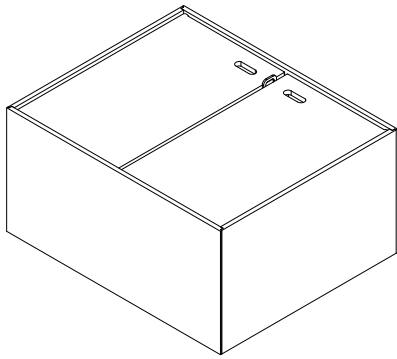
2. GLUE LOCK INSERT AND THEN FIT THE VERTICAL PANEL INTO BACK PANEL.



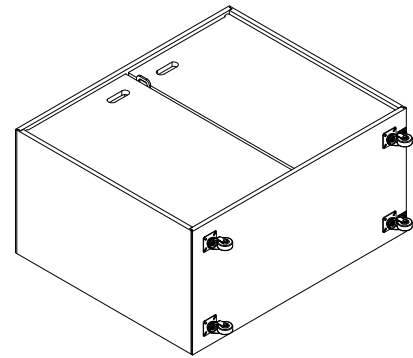
3. GLUE SIDES AND HORIZONTAL SHELVES



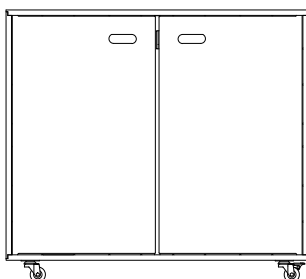
4. FIT DOORS AND GLUE THE TOP AND BASE PANELS INTO POSITION, STRAP EVERYTHING UNTIL DRY



5. MAKE PILOT HOLES AND SCREW THE WHEELS IN PLACE



6. FINISHED.

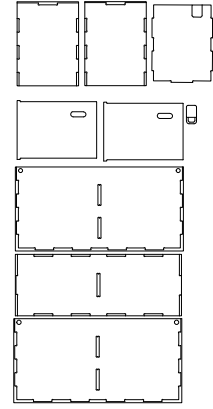


PRODUCT ASSEMBLY INSTRUCTIONS

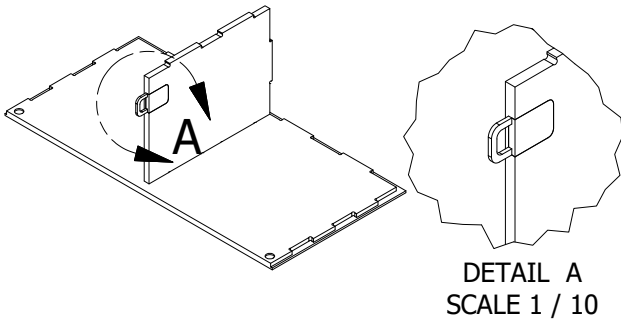
PRODUCT: KANO STORAGE (SMALL)
RANGE: VYNE
DESIGNERS: VYNE TEAM
PUBLISHED: 07/08/2017
PRODUCT VERSION: 1_0_0

HARDWARE & TOOLS
REQUIRED
-PVA GLUE
-MALLET
-CLAMPS & RACHET STRAPS

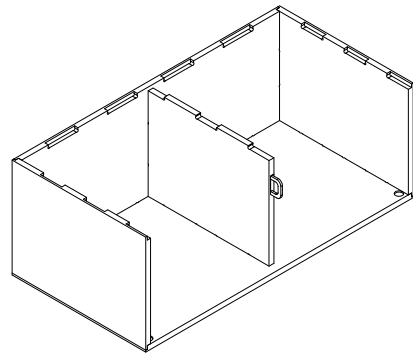
1. PARTS



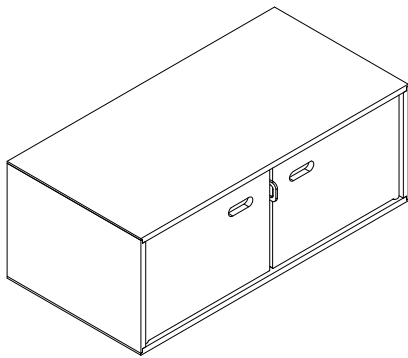
2. GLUE LOCK INSERT AND THEN FIT THE
VERTICAL PANEL INTO BASE PANEL.



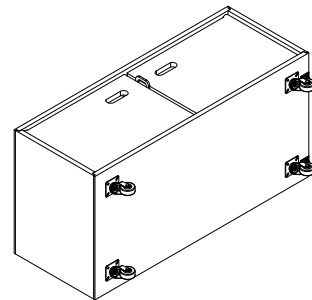
3. GLUE BACK AND SIDES IN PLACE.



4. FIT DOORS AND GLUE THE TOP PANEL
INTO POSITION, STRAP EVERYTHING UNTIL
DRY



5. MAKE PILOT HOLES AND SCREW THE
WHEELS IN PLACE



6. FINISHED.

